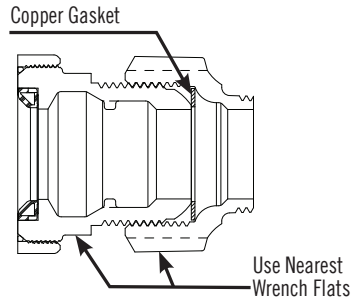




# Copper Gaskets

- \* Use only a smooth jaw adjustable wrench on the provided wrenching flats. Serrated pipe wrenches apply a loose, improper fit that can distort the body and cause a leak.
- \* Inspect surfaces for damage.
- \* Insert copper gasket as shown, and tighten to compress gasket against both sealing surfaces. While tightening connections, hold part using wrench flats nearest the connection being tightened.
- \* Backfill carefully to avoid damage to the service line and connections. Looping or snaking of the service lines is recommended to minimize strain on connections. Pressure test for leaks before backfilling.

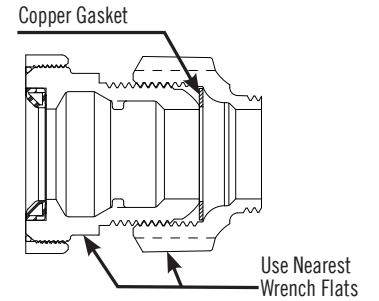


**WARNING:** It is unlawful in CALIFORNIA & VERMONT (effective 1/1/2010); MARYLAND (effective 1/1/2012); LOUISIANA (effective 1/1/2013) and the UNITED STATES OF AMERICA (effective 1/4/2014) to use any product in the installation or repair of any public water system or any plumbing in a facility or system that provides water for human consumption if the wetted surface area of the product has a weighted average lead content greater than 0.25%. This prohibition does not extend to service saddles used in California, Louisiana or under USA Public Law 111-380.



# Copper Gaskets

- \* Use only a smooth jaw adjustable wrench on the provided wrenching flats. Serrated pipe wrenches apply a loose, improper fit that can distort the body and cause a leak.
- \* Inspect surfaces for damage.
- \* Insert copper gasket as shown, and tighten to compress gasket against both sealing surfaces. While tightening connections, hold part using wrench flats nearest the connection being tightened.
- \* Backfill carefully to avoid damage to the service line and connections. Looping or snaking of the service lines is recommended to minimize strain on connections. Pressure test for leaks before backfilling.

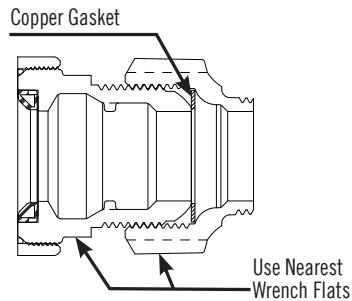


**WARNING:** It is unlawful in CALIFORNIA & VERMONT (effective 1/1/2010); MARYLAND (effective 1/1/2012); LOUISIANA (effective 1/1/2013) and the UNITED STATES OF AMERICA (effective 1/4/2014) to use any product in the installation or repair of any public water system or any plumbing in a facility or system that provides water for human consumption if the wetted surface area of the product has a weighted average lead content greater than 0.25%. This prohibition does not extend to service saddles used in California, Louisiana or under USA Public Law 111-380.



# Copper Gaskets

- \* Use only a smooth jaw adjustable wrench on the provided wrenching flats. Serrated pipe wrenches apply a loose, improper fit that can distort the body and cause a leak.
- \* Inspect surfaces for damage.
- \* Insert copper gasket as shown, and tighten to compress gasket against both sealing surfaces. While tightening connections, hold part using wrench flats nearest the connection being tightened.
- \* Backfill carefully to avoid damage to the service line and connections. Looping or snaking of the service lines is recommended to minimize strain on connections. Pressure test for leaks before backfilling.

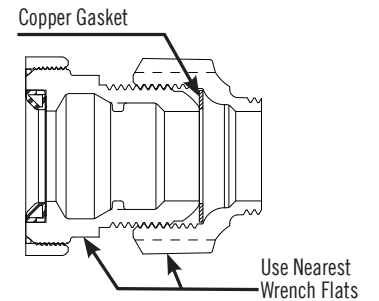


**WARNING:** It is unlawful in CALIFORNIA & VERMONT (effective 1/1/2010); MARYLAND (effective 1/1/2012); LOUISIANA (effective 1/1/2013) and the UNITED STATES OF AMERICA (effective 1/4/2014) to use any product in the installation or repair of any public water system or any plumbing in a facility or system that provides water for human consumption if the wetted surface area of the product has a weighted average lead content greater than 0.25%. This prohibition does not extend to service saddles used in California, Louisiana or under USA Public Law 111-380.



# Copper Gaskets

- \* Use only a smooth jaw adjustable wrench on the provided wrenching flats. Serrated pipe wrenches apply a loose, improper fit that can distort the body and cause a leak.
- \* Inspect surfaces for damage.
- \* Insert copper gasket as shown, and tighten to compress gasket against both sealing surfaces. While tightening connections, hold part using wrench flats nearest the connection being tightened.
- \* Backfill carefully to avoid damage to the service line and connections. Looping or snaking of the service lines is recommended to minimize strain on connections. Pressure test for leaks before backfilling.



**WARNING:** It is unlawful in CALIFORNIA & VERMONT (effective 1/1/2010); MARYLAND (effective 1/1/2012); LOUISIANA (effective 1/1/2013) and the UNITED STATES OF AMERICA (effective 1/4/2014) to use any product in the installation or repair of any public water system or any plumbing in a facility or system that provides water for human consumption if the wetted surface area of the product has a weighted average lead content greater than 0.25%. This prohibition does not extend to service saddles used in California, Louisiana or under USA Public Law 111-380.